

JARAMOGI OGINGA ODINGA UNIVERSITY OF SCIENCE AND TECHNOLOGY

SCHOOL OF INFORMATICS AND INNOVATIVE SYSTEMS

DEPARTMENT OF COMPUTER SCIENCE & SOFTWARE ENGINEERING

UNIVERSITY EXAMINATION FOR THE DIPLOMA IN LINUX ENGINEERING

2ND YEAR 1ST SEMESTER 2015/2016 ACADEMIC YEAR

KISUMU LC

COURSE CODE: ICT 2216

COURSE TITLE: DEPLOYING A SECURE OPENSOURCE MASSAGING SOLUTION

VENUE:

STREAM: LINUX ENGINEERING

DATE:

EXAM SESSION:

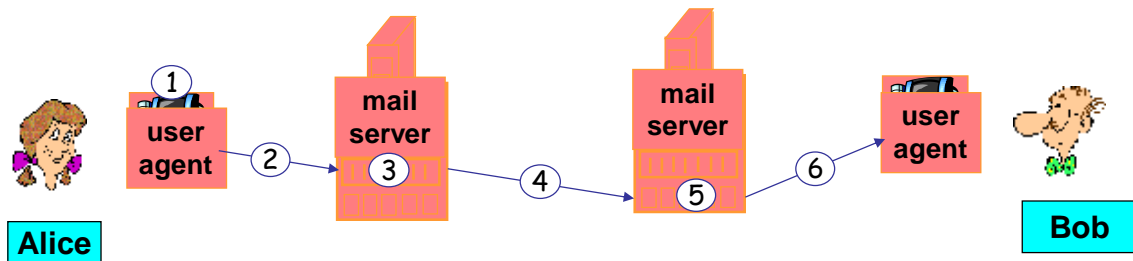
TIME:2HRS

INSTRUCTIONS

- 1. Answer Question 1 (Compulsory) and ANY other TWO questions**
- 2. Candidates are advised not to write on the question paper**
- 3. Candidates must hand in their answer booklets to the invigilator while in the examination room**

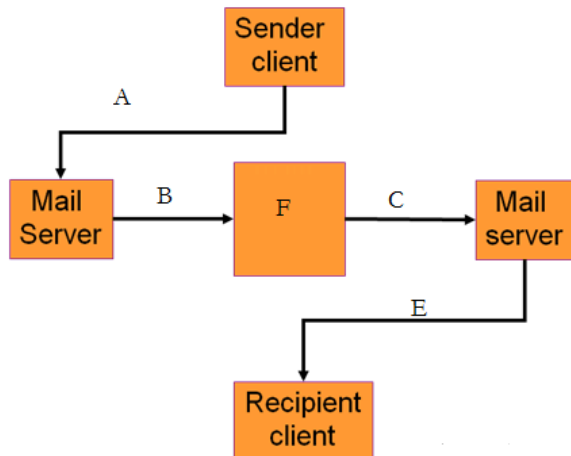
Question 1 [30 marks]

1. What is MIME? What's its function? (2marks)
2. What do you considered to be poor e-mail etiquette? (2marks)
3. To which port does the SMTP server listen in order to accept incoming messages? (1mark)
4. What two kinds of servers handle incoming e-mail messages? (1 mark)
5. What's the name for the program or service that lets you view e-mail messages? (1mark)
6. What is a Spam (1mark)
7. State the three phases in message transfer (3marks)
8. Describe the two types of mail clients clearly bring out their differences (3 marks)
9. Describe MTA, MUA and LDA (3marks)
10. Using the Scenario Below explain process 1-6 (6marks)



11. Use the diagram below to answer the question a, b and c.

Basic Email Architecture



1. Explain part A ,B,C and E (4marks)
2. Whats the device on part F and what is its importance (2marks)
3. What do you think happens at stage C (1marks)

Question 2 [20 marks]

- a. What's the Difference between POP3 and IMAP **(10marks)**
- b. Describe the Advantages and Disadvantages of E-mail **(10marks)**

Question 3 [20 marks]

Describe some email etiquette **(20 marks)**

Question 4 [20 marks]

- a. What does POP stand for and what is its function in an email system **(2marks)**
- b. Explain the sequence of events in POP **(18marks)**

Question 5 [20 marks]

- a. Why would you prefer Maildir over mbox **(2marks)**
- b. Describe the following terms **(18marks)**
 - i) Postfix
 - ii) Dovecot
 - iii) Clam AV
 - iv) MailScanner
 - v) SquirrelMail
 - vi) RoundCube
 - vii) Thunderbird
 - viii) OpenLDAP
 - ix) port