



**JARAMOGI OGINGA ODINGA UNIVERSITY OF
SCIENCE AND TECHNOLOGY
SCHOOL OF HEALTH SCIENCE
UNIVERSITY EXAMINATION FOR THE DEGREE OF
BACHELOR OF SCIENCE IN HEALTH SCIENCE
3TH YEAR 1ST SEMESTER 2019/2020 ACADEMIC YEAR
KISII CAMPUS-PART TIME**

COURSE CODE: HPD 3311

COURSE TITLE: TECHNICAL DRAWING

EXAM VENUE:

DATE:

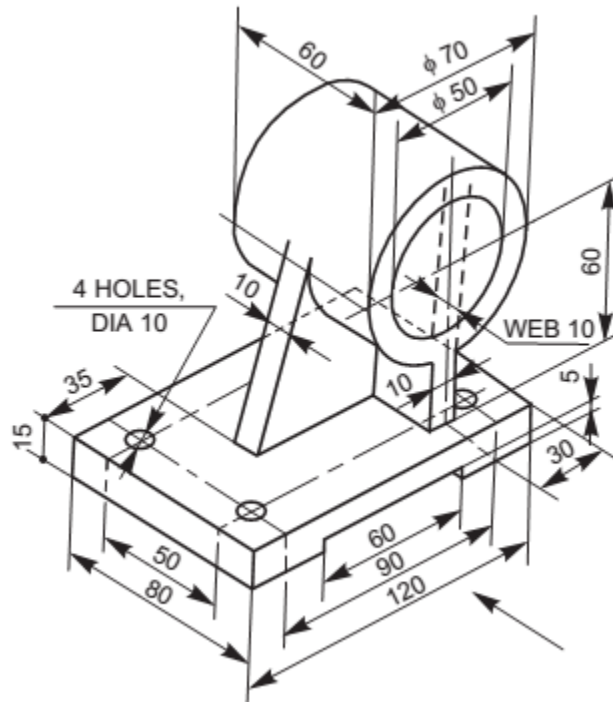
EXAM SESSION:

TIME: 2 HOURS

Instructions:

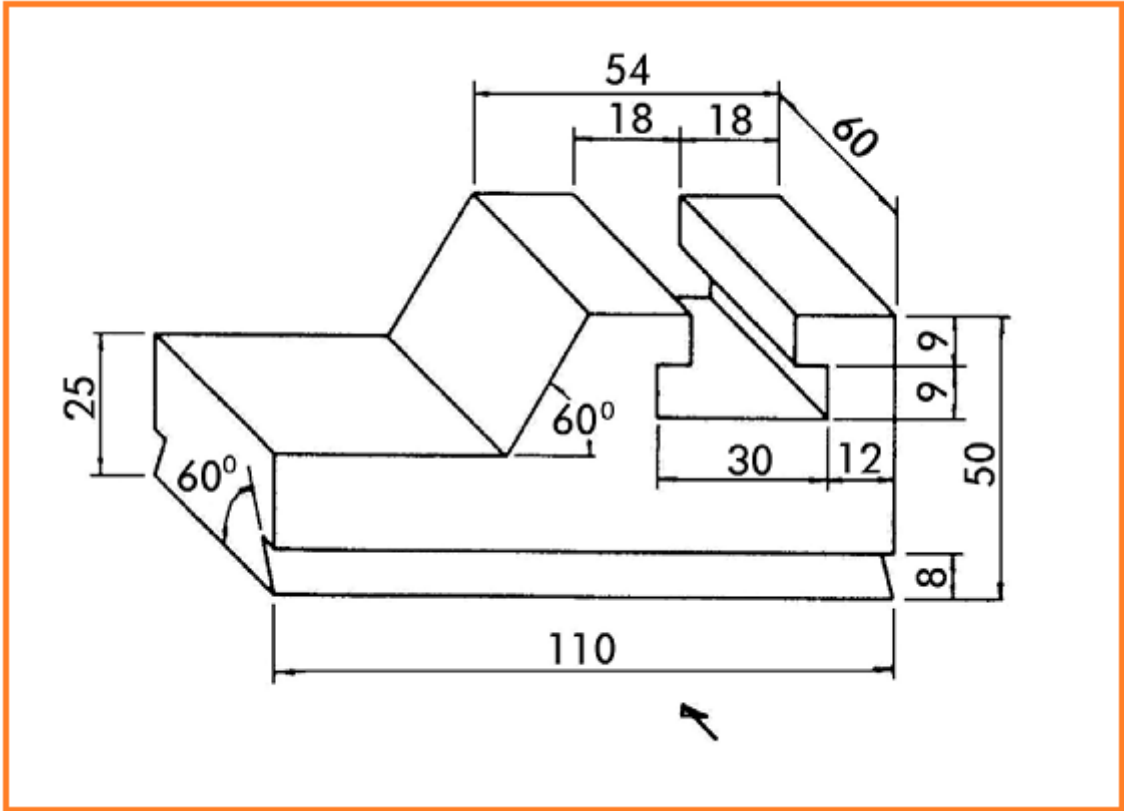
- ❖ Answer Question **ONE (COMPULSORY)** and **ANY** other 2 questions
- ❖ Candidates are advised not to write on the question paper.
- ❖ Candidates must hand in their answer booklets to the invigilator while in the examination room.

1. Draw a plan of residential house with two bedrooms (30mks)
- 2 a) Draw and explain types lines used in technical drawing (10mks)
- b) Using free hand sketching, draw simple plan of a small health clinic (10mks)
3. Draw the diagram below in isometric view using CAD



4. Design a three room house in 3D modeling using CAD and represent its major views (20mks)

5. Draw three views of the following components in third angle projection. Show hidden detail where necessary and fully dimensions your drawing



5.

