



JARAMOGI OGINGA ODINGA UNIVERSITY OF SCIENCE AND TECHNOLOGY
SCHOOL OF HEALTH SCIENCE
UNIVERSITY EXAMINATION FOR THE DEGREE OF BACHELOR OF SCIENCE IN
HEALTH SCIENCE
3TH YEAR 1ST SEMESTER 2016/2017 ACADEMIC YEAR
KISII CAMPUS-PART TIME

COURSE CODE: HPD 3311

COURSE TITLE: TECHNICAL DRAWING

EXAM VENUE:LR 17

DATE: 20/12/16

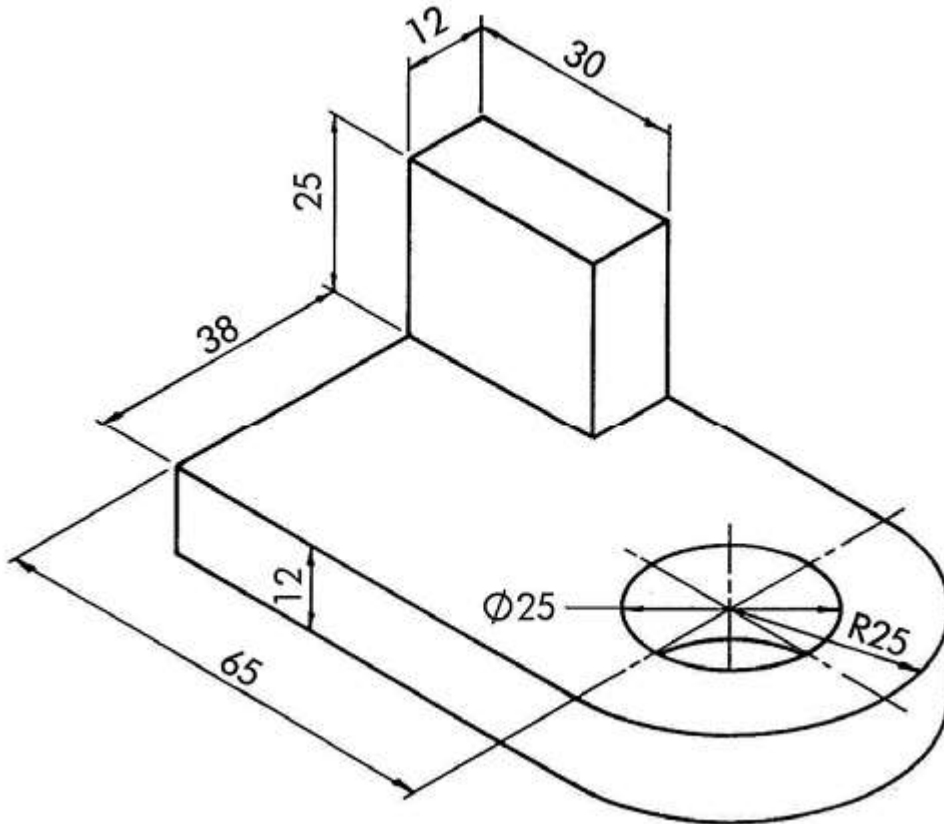
EXAM SESSION: 2.00 – 4.00 PM

TIME: 2 HOURS

Instructions:

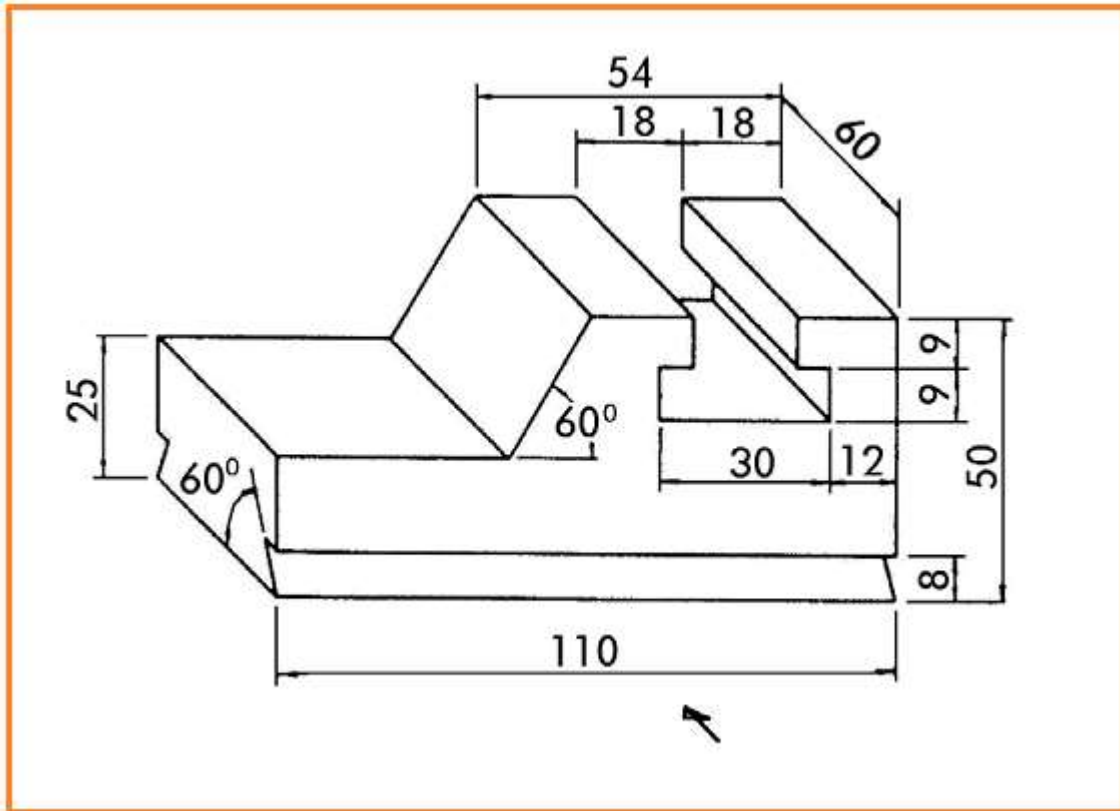
- ❖ Answer Question **ONE (COMPULSORY)** and **ANY** other 2 questions
- ❖ Candidates are advised not to write on the question paper.
- ❖ Candidates must hand in their answer booklets to the invigilator while in the examination room.

1. a) Explain the following terms as used in technical drawing: elevations and isometric projection, (2mks)
 - b) Sketch and explain types lines used in technical drawing (8mks)
 - c) Explain any five principles of planning of residential buildings (10mks)
 - d) Using free hand sketching, draw simple plan of a small health clinic (10mks)
2. Draw the diagram below in south east isometric view



3. Discuss the specifications of the building components which are commonly used in small residential and office building (20mks)

4. Draw three views of the following components in first angle projection. Show hidden detail where necessary and fully dimension your drawing



5. Using drawing instruments draw plan of residential house shown below with specification on it (20mks)

